

# CLERION

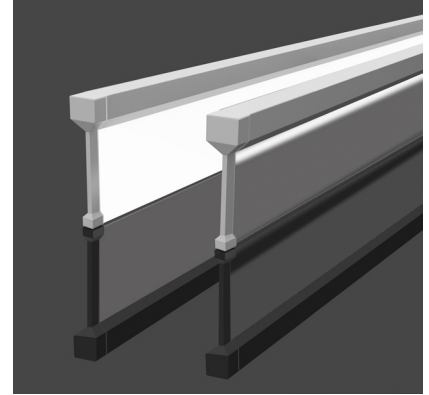
Linear Architectural Luminaire w/ Transparent Optics

**NORDEON** 

LIGHTING SOLUTIONS

## DESCRIPTION

CLERION is an elegant architectural luminaire defined by its ultra-thin transparent optics, delivering a distinctive, refined appearance even when unlit. Offered in 2', 3', and 4' lengths, it integrates seamlessly into clean, modern spaces while providing exceptional performance of up to 1650 lumens per foot at 90 CRI. An internal LED driver with selectable wattage and CCT ensures maximum flexibility to suit a wide range of applications. Designed for surface, wall, or suspended pendant mounting, CLERION also supports a full suite of accessories—including multiple canopy options, emergency battery backup, and occupancy sensors—making it a versatile solution that balances minimalist design with powerful illumination.



Date: \_\_\_\_\_ Type: \_\_\_\_\_ Project: \_\_\_\_\_

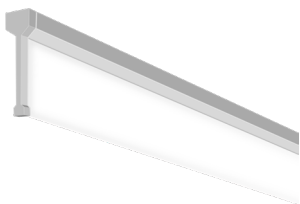
Catalog Number: \_\_\_\_\_

## ORDERING INFORMATION

LUMINAIRE					
MODEL	CCT	CONTROL	INPUT VOLTAGE	FINISH	MOUNTING
<b>CLRN-2</b> <i>2' Linear Clerion</i>	<b>SK</b> <i>Selectable 3000K, 3500K, 4000K</i>	<b>DIM</b> <i>0-10v Dimming to 10%</i>	<b>UNV</b> <i>110-277v</i>	<b>WH</b> <i>White Powder Coat</i>	<b>SRF</b> <i>Surface</i>
<b>CLRN-3</b> <i>3' Linear Clerion</i>				<b>XX</b> <i>Custom RAL Color</i>	<b>PDT</b> <i>Pendant</i>
<b>CLRN-4</b> <i>4' Linear Clerion</i>					

Several accessories are available separately. See page 4 for ordering information.

Custom options may be available; consult factory for assistance via phone at (864) 487-3535 ext. 249 or via email at [DesignServices@EXP-Brands.com](mailto:DesignServices@EXP-Brands.com).



**EXPERIENCE**  
BRANDS

[www.Nordeon-USA.com](http://www.Nordeon-USA.com)

A Member of Experience® Brands | [www.ExperienceBrandsUSA.com](http://www.ExperienceBrandsUSA.com) | Illuminating The Americas Since 1997

In a continuing effort to offer the best product possible, we reserve the right to change, without notice, specifications or materials. Technical specification sheets that appear online are the most recent ones available. \*Consult the factory to verify current status of BAA/TAA/BABAA compliance.

PHYSICAL	HOUSING	Extruded Aluminum Housing with White Premium Powder Coat Finish		
	OPTICS	Ultra-Thin, Semi-Transparent Vertical Optics Mounted Within Sloping Frame Silhouette		
	MOUNTING	Surface or Suspended Mounting - Hardware Included with Luminaire Several Mounting Options Available; See Page 4 for More Information		
	OVERALL DIMENSIONS	<b>2-Foot</b> 23.64" L x 1.59" W x 5.34" H	<b>3-Foot</b> 35.46" L x 1.59" W x 5.34" H	<b>4-Foot</b> 47.28" L x 1.59" W x 5.34" H

ELECTRICAL	POWER CONSUMPTION	<b>2-Foot</b> 20 Watts	<b>3-Foot</b> Field Selectable 20/30/40 Watts	<b>4-Foot</b> Field Selectable 20/30/40 Watts
	INPUT VOLTAGE	Universal 110-277 Voltage (50-60Hz)		
	DRIVER	Class 2 High Efficiency LED Driver, 0-10VDC Dimming; 100% to 10%		
	OPERATING ENVIRONMENT	Damp Rated for Ambient Operating Temperature of -4°F to 104°F		
	TOTAL HARMONIC DISTORTION	< 20%		
	POWER FACTOR	> 0.90		
	EMERGENCY BATTERY BACKUP	An 8 or 25-Watt UL/CEC Listed LED Emergency Driver is Available Separately for Emergency 90-Minute Operation. See Page 4 for Ordering Information. Battery backup is to be field installed and requires access above the ceiling for maintenance.		
	OCCUPANCY SENSOR	A Factory-Installed Occupancy Sensor is Available Separately. See Page 4 for Ordering Information. Installation Height: 8 to 12 Feet; Detection Range: 26 Feet from Center, 360° Coverage		

PHOTOMETRIC	CCT	Field Selectable 3000K, 3500K, or 4000K		
	COLOR RENDERING INDEX	> 90		
	DELIVERED LUMEN OUTPUT	<b>2-Foot</b> Up to 1250 Lumens per Foot	<b>3-Foot</b> Up to 1650 Lumens per Foot	<b>4-Foot</b> Up to 1250 Lumens per Foot
	EFFICACY	Up to 125 Lumens per Watt		
	LUMEN MAINTENANCE*	L90 > 50,000 Hours		

LIGHT DISTRIBUTIONS	MEASUREMENTS	<b>2-Foot</b>	<b>3-Foot</b>	<b>4-Foot</b>
	LUMENS	1250 Lumens per Foot	800 ~ 1650 Lumens per Foot	600 ~ 1250 Lumens per Foot
	WATTS	12	Field Selectable 20/30/40 Watts	Field Selectable 20/30/40 Watts
	EFFICACY	125 Lumens per Watt	125 Lumens per Watt	125 Lumens per Watt

Values reflect delivered lumens at 3500K.

CERTIFICATIONS	SAFETY	UL Listed for Damp Locations		
	DLC	3500K and 4000K Models are DLC QPL Listed		
	ELECTRICAL	Complies with FCC Part 15, Class A EMI FCC 47CFR Part 15, Class A		
	WARRANTY	Five Year Limited Warranty		

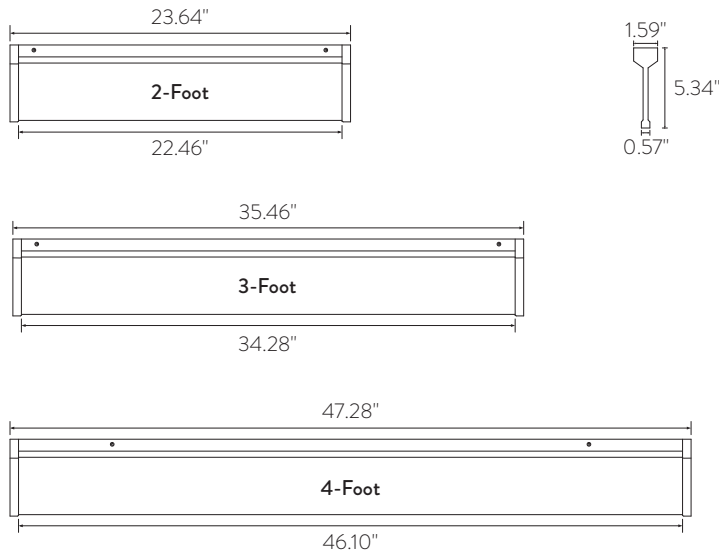


# CLERION

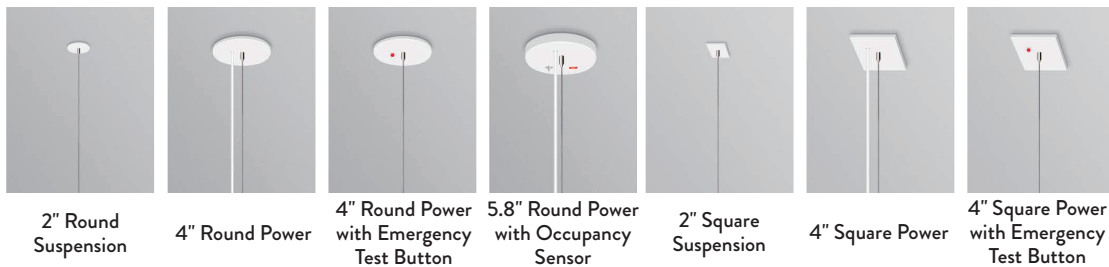
Linear Architectural Luminaire w/ Transparent Optics

## DIMENSIONS

Dimensions are shown in inches.



## CANOPY OPTIONS



## ACCESSORIES

### POWER CABLE KITS

MODEL	FINISH
<b>C12-KIT</b> 12' Power and Stainless Steel Aircraft Cable Kit	<b>BL</b> Black
<b>C12</b> 12' Power Cable	<b>WH</b> White



Power Cord & Accessories

### AIRCRAFT CABLE

MODEL
<b>AC12</b> 12' Stainless Steel Aircraft Cable Kit



Aircraft Cable & Accessories

### DROP CEILING MOUNTING KITS - 9/16" Step Clips

MODEL	CANOPY SHAPE	CANOPY FINISH	OPTIONS
<b>TS-KIT</b> Drop Ceiling Mounting Kit - Includes (2) 9/16" Step Clips, (1) Junction Box, (1) 4" Power Canopy, and (1) 2" Suspension Canopy	<b>RD</b> Round Canopy	<b>BL</b> Black	<b>EM-TB</b> Emergency Test Button <sup>1</sup>
	<b>SQ</b> Square Canopy	<b>WH</b> White	<b>OCC</b> Occupancy Sensor <sup>2</sup>



TS

### DROP CEILING MOUNTING KITS - 15/16" Step Clips

MODEL	CANOPY SHAPE	CANOPY FINISH	OPTIONS
<b>TX-KIT</b> Drop Ceiling Mounting Kit - Includes (2) 15/16" Step Clips, (1) Junction Box, (1) 4" Power Canopy, and (1) 2" Suspension Canopy	<b>RD</b> Round Canopy	<b>BL</b> Black	<b>EM-TB</b> Emergency Test Button <sup>1</sup>
	<b>SQ</b> Square Canopy	<b>WH</b> White	<b>OCC</b> Occupancy Sensor <sup>2</sup>



TX

### DROP CEILING MOUNTING KITS - Flat Clips

MODEL	CANOPY SHAPE	CANOPY FINISH	OPTIONS
<b>TF-KIT</b> Drop Ceiling Mounting Kit - Includes (2) Flat Clips, (1) Junction Box, (1) 4" Power Canopy, and (1) 2" Suspension Canopy	<b>RD</b> Round Canopy	<b>BL</b> Black	<b>EM-TB</b> Emergency Test Button <sup>1</sup>
	<b>SQ</b> Square Canopy	<b>WH</b> White	<b>OCC</b> Occupancy Sensor <sup>2</sup>



TF

### DRYWALL MOUNTING KITS

MODEL	CANOPY FINISH	OPTIONS
<b>DW-KIT</b> Drywall Mounting Kit - Includes (1) 4" Power Canopy and (1) 2" Suspension Canopy	<b>BL</b> Black	<b>EM-TB</b> Emergency Test Button <sup>1</sup>
	<b>WH</b> White	<b>OCC</b> Occupancy Sensor <sup>2</sup>

### SURFACE MOUNTING KIT

MODEL
<b>SMK</b> Surface/Wall Mounting Kit



SMK

### EMERGENCY BATTERY BACKUP - Field-Installed

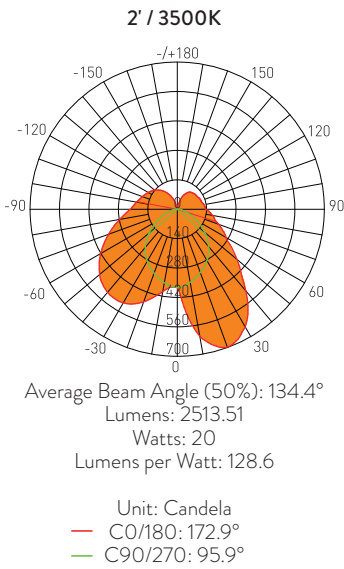
MODEL
<b>EM-H25170-RBF</b> 25 Watt, High Voltage, UL Listed 0-10v Dimming LED Emergency Driver for 90 Minute Operation
<b>EM-H16170-RBF</b> 16 Watt, High Voltage, UL Listed 0-10v Dimming LED Emergency Driver for 90 Minute Operation



<sup>1</sup>Emergency test buttons are integrated into the standard 4" round power canopy. Emergency drivers are ordered separately.

<sup>2</sup>Occupancy sensors are integrated into a ø5.8" round power feed canopy. Ordering this option will replace the standard 4" round canopy with a 5.8" Canopy. Occupancy sensors are not available on square canopies.

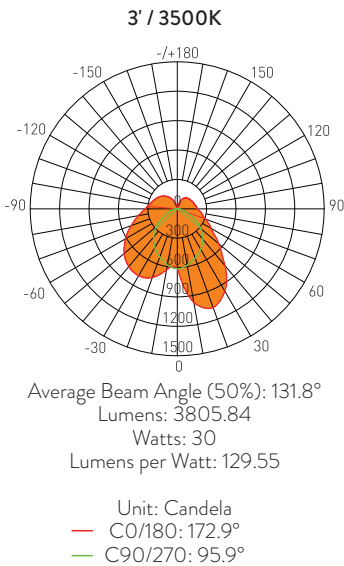
## PHOTOMETRICS



ZONAL FLUX DIAGRAM					
ANGLE	C0	C45	C90	C135	C180
10	611.9	529.4	353.2	372.8	398.2
20	696.7	605.3	321.0	405.9	469.0
30	646.1	587.6	282.2	434.1	514.3
40	507.3	499.5	233.0	434.4	516.3
50	370.0	396.0	170.6	406.3	482.6
60	268.7	307.9	105.5	362.4	421.9
70	210.5	241.7	52.89	308.1	347.6
80	170.9	192.0	21.38	254.4	278.2
90	136.0	150.2	3.729	208.8	224.7
100	129.3	141.9	0.7169	183.8	197.2
110	120.7	132.4	0	162.4	176.9
120	114.5	124.7	0	141.2	160.3
130	111.3	111.7	0	116.5	142.0
140	105.3	91.46	0	88.58	117.5
150	89.3	64.69	0	13.74	46.12
160	58.63	13.33	0	13.74	46.12
170	8.001	0.8131	0.0901	0.9910	3.441
180	0.2742	0.7223	0	0.5422	0.4570
DEG.	LUMINOUS INTENSITY (CD)				

ZONAL LUMENS	
ZONE	LUMENS
0-10	39.83
10-20	172.8
20-30	397.3
30-40	682.1
40-50	983.6
50-60	1270
60-70	1524
70-80	1740
80-90	1916
90-100	2066
100-110	2195
110-120	2305
120-130	2392
130-140	2455
140-150	2494
150-160	2511
160-170	2513
170-180	2514

LUMINANCE (CD/M2)		
DEG.	C0/180	C90/270
85	17757	1235
80	9862	1231
75	7136	1355
70	6166	1547
65	5669	1817
60	5384	2111
55	5481	2397
50	5768	2655
45	6108	2868



ZONAL FLUX DIAGRAM					
ANGLE	C0	C45	C90	C135	C180
10	968.4	858.3	586.1	597.8	633.0
20	1072	963.6	535.2	660.6	745.3
30	972.4	923.5	479.4	697.2	789.7
40	757.5	777.0	406.5	682.9	769.8
50	553.5	609.8	312.5	629.3	709.0
60	398.3	471.7	199.2	552.8	610.2
70	309.8	364.6	97.10	467.8	501.6
80	250.9	289.9	36.16	386.2	403.0
90	202.5	228.2	6.695	316.2	328.8
100	193.1	215.6	1.550	278.3	286.8
110	179.4	200.2	1.094	245.4	257.0
120	166.7	184.9	1.094	211.2	231.5
130	159.7	163.4	1.094	172.7	205.0
140	147.2	131.9	1.277	131.6	166.7
150	123.3	86.11	1.277	86.34	122.4
160	89.04	20.26	2.183	26.9	67.01
170	14.40	2.257	4.102	2.546	8.510
180	1.548	2.162	4.195	1.819	1.640
DEG.	LUMINOUS INTENSITY (CD)				

ZONAL LUMENS	
ZONE	LUMENS
0-10	64.38
10-20	276.1
20-30	628.3
30-40	1069
40-50	1530
50-60	1963
60-70	2343
70-80	2662
80-90	2924
90-100	3147
100-110	3340
110-120	3502
120-130	3630
130-140	3721
140-150	3776
150-160	3801
160-170	3806
170-180	3806

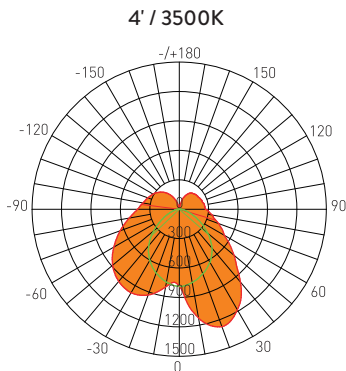
LUMINANCE (CD/M2)		
DEG.	C0/180	C90/270
85	26130	2103
80	14462	2074
75	10471	2379
70	9068	2827
65	8384	3404
60	7975	3967
55	8151	4462
50	8620	4840
45	9128	5102

# CLERION

Linear Architectural Luminaire w/ Transparent Optics



LIGHTING SOLUTIONS



4' / 3500K  
Average Beam Angle (50%): 133.0°  
Lumens: 4593.3  
Watts: 40  
Lumens per Watt: 125.53

Unit: Candela  
— C0/180: 170.5°  
— C90/270: 95.5°

ZONAL FLUX DIAGRAM						ZONAL LUMENS		LUMINANCE (CD/M2)		
ANGLE	C0	C45	C90	C135	C180	ZONE	LUMENS	DEG.	C0/180	C90/270
10	1124	1022	758.9	760.8	803.3	0-10	79.88	85	35045	3092
20	1273	1138	701.6	829.5	929.4	10-20	340.0	80	19601	2920
30	1185	1112	606.1	866.8	983.1	20-30	774.2	75	14272	3084
40	973.0	958.4	519.0	842.6	961.5	30-40	1323	70	12484	3438
50	729.5	773.1	379.3	774.9	887.5	40-50	1904	65	11396	3990
60	531.8	612.2	230.6	686.5	770.2	50-60	2453	60	10646	4599
70	426.6	486.9	117.9	585.1	640.8	60-70	2941	55	10947	5289
80	340.1	390.7	50.83	486.0	519.1	70-80	3358	50	11358	5885
90	269.6	309.6	9.746	399.4	426.1	80-90	3702	45	11738	6380
100	259.8	293.4	1.830	352.8	377.8	90-100	3994			
110	247.9	274.0	1.542	312.7	342.5	100-110	4251			
120	236.4	254.7	1.541	268.5	310.9	110-120	4468			
130	227.1	227.3	1.540	219.2	271.1	120-130	4639			
140	213.0	184.6	1.599	164.2	221.8	130-140	4764			
150	184.7	114.4	1.665	102.2	158.7	140-150	4839			
160	125.8	49.61	1.731	33.69	82.85	150-160	4873			
170	34.73	13.20	2.806	3.606	13.88	160-170	4881			
180	2.040	3.092	2.889	2.495	1.943	170-180	4881			
DEG.	LUMINOUS INTENSITY (CD)									