

---

### **IMPORTANT SAFETY INSTRUCTIONS**

---

**THIS PRODUCT MUST BE INSTALLED IN ACCORDANCE WITH THE APPLICABLE INSTALLATION CODE BY A PERSON FAMILIAR WITH THE CONSTRUCTION AND OPERATION OF THE PRODUCT AND THE HAZARDS INVOLVED.**

**CE PRODUIT DOIT ÊTRE INSTALLÉ SELON LE CODE D'INSTALLATION PERTINENT, PAR UNE PERSONNE QUI CONNAÎT BIEN LE PRODUIT ET SON FONCTIONNEMENT AINSI QUE LES RISQUES INHÉRENTS.**

---

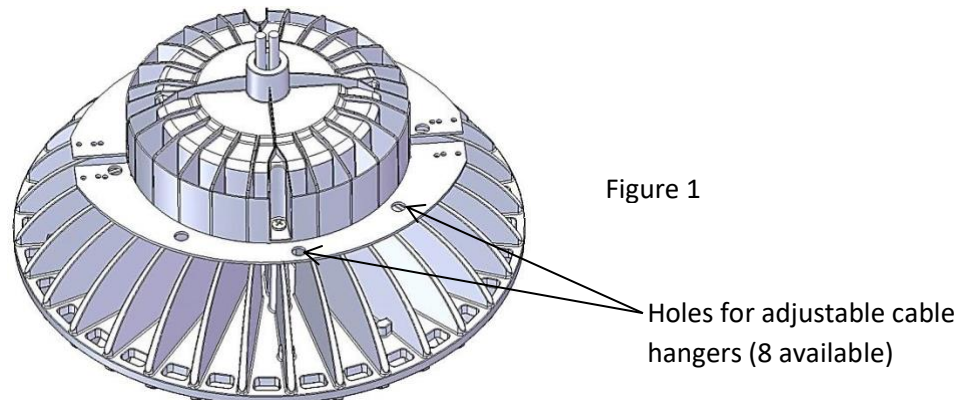
1. READ AND FOLLOW ALL SAFETY INSTRUCTIONS.
2. INSTALLATION REQUIRES KNOWLEDGE OF LED LIGHTING AND ELECTRICAL SYSTEMS. RISK OF FIRE OR ELECTRICAL SHOCK EXISTS.
3. DO NOT MAKE OR ALTER ANY OPEN HOLES IN AN ENCLOSURE OF WIRING OR ELECTRICAL COMPONENTS DURING KIT INSTALLATION.
4. DO NOT EXPOSE WIRING TO EDGE OF SHEET METAL OR OTHER SHARP OBJECTS IN ORDER TO PREVENT WIRING DAMAGE OR ABRASION.
5. THE LED LUMINAIRE MUST BE WIRED IN ACCORDANCE WITH THE NATIONAL ELECTRICAL CODE AND APPLICABLE LOCAL CODES.
6. PROPER GROUNDING IS REQUIRED FOR SAFETY.
7. THIS LED LUMINAIRE MUST BE INSTALLED PER THE APPLICABLE INSTALLATION CODE BY A PERSON FAMILIAR WITH THE CONSTRUCTION AND OPERATION OF THE PRODUCT. DO NOT ATTEMPT INSTALLATION IF THIS CONDITION IS NOT MET. CONTACT A QUALIFIED ELECTRICIAN.
8. DO NOT USE THIS LUMINAIRE FOR ANYTHING OTHER THAN ITS INTENDED USE.
9. **DANGER-RISK OF FIRE OR ELECTRICAL SHOCK-DISCONNECT POWER BEFORE BEGINNING INSTALLATION**



### INSTALLATION

**THIS LUMINAIRE IS INTENDED FOR PENDANT, HOOK, LOOP, OR TRUNNION MOUNT ONLY.**

1. Verify that power to the luminaire is OFF.
2. Luminaire without sensor:
  - a. To mount luminaire directly to a pendant, thread wires through pendant into junction box, and thread luminaire onto pendant. Secure with #8 screw in top hub of luminaire. Proceed to Wiring instructions.
  - b. To use the standard Loop Mount or optional Hook mount, hang luminaire from chain or cable using installer provided hardware. Proceed to Wiring instructions making all connections in existing junction box.
  - c. To mount fixture with optional adjustable cable hanger plate (ACH), use (4) of the available holes in the plate (see Figure 1), and loop adjustable cables (sold separately), through. It is recommended you use 4 hanging points for fixture to hang level.
  - d. To use optional Trunnion, attach trunnion to existing pendant or surface using installer provided hardware. Remove top bolt, lock washer and nut on each side of trunnion and aim fixture as needed. Reinstall hardware to hold fixture in desired position. Proceed to Wiring instructions making all connections in existing junction box.



3. Luminaire with Sensor:
  - a. The sensor is pre-wired at the factory. The sensor bracket and hook or loop is shipped loose from the heatsink to reduce the size of the packaging. Carefully remove the luminaire and sensor assembly from the box. (See Figure 2)



Figure 2

- b. If the luminaire has a hook or loop, it has been installed into the junction box cover at the factory. Remove the two #10 screws from the junction box, coil all wires into the junction box and install the cover to the junction box. Tighten screws firmly. (See Figure 3)

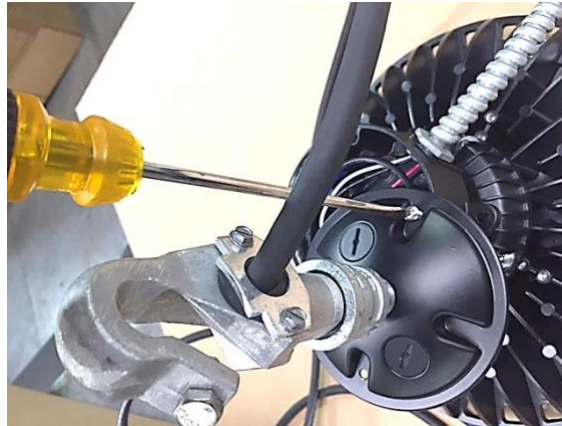


Figure 3

- c. Make sure the round junction box is rotated such that the conduit from the junction box is over the (2) 1/4 screws installed into the heat sink. Remove the (2) 1/4 bolts and lock washers installed in the heat sink, insert them into the top of the sensor bracket, and install the sensor bracket to the heat sink. (See Figure 4 & 5).



Figure 4

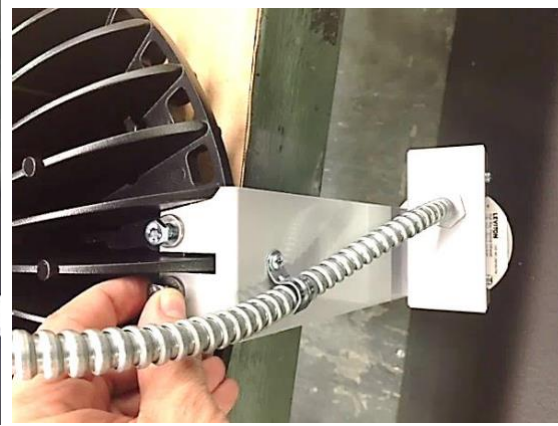
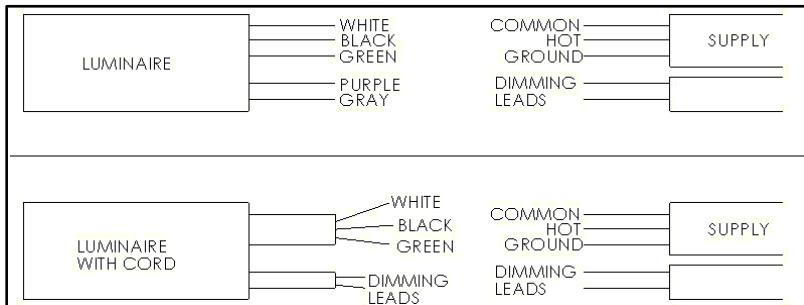


Figure 5

- d. To mount the luminaire directly to a pendant, thread wires through pendant into junction box, and thread luminaire onto pendant. Proceed to Wiring instructions.
- e. To use optional Hook or Loop, thread supply wires through hook or loop. Hang luminaire from chain or cable as desired. Proceed to Wiring instructions making all connections in junction box.
- f. To mount fixture with optional adjustable cable hanger plate (ACH), use (4) of the available holes in the plate (see Figure 1), and loop adjustable cables (sold separately), through. It is recommended you use 4 hanging points for fixture to hang level.
- g. To use optional Trunnion, attach trunnion to existing pendant or surface as desired. Remove top bolt, lock washer and nut on each side of trunnion and aim fixture as needed. Reinstall hardware to hold fixture in desired position. Proceed to Wiring instructions making all connections in junction box.

### WIRING

1. Verify that the electrical power to the Luminaire is in the OFF position.
2. For Luminaires provided with a plug, insert the plug into the outlet and proceed to step 8.
3. For Luminaires that are provided with a cord with no plug, insert the supplied wire into the existing junction box taking care to securely attach the provided strain relief in the junction box.
4. For Luminaires with no cord, remove one conduit plug and back panel of fixture. Connect supply conduit to fixture and make wiring connections inside fixture housing. Replace back panel of fixture.
5. Connect the black lead to line supply lead.
6. Connect the white lead to neutral supply lead.
7. Connect the ground wire to supply ground.
8. Purple and gray wires are dimming leads. If dimming is not required, these leads can be capped with wire nuts.
9. Energize the electrical power and verify for proper operation.



### DIMENSIONAL DATA

