

# HBLSR

Power and CCT Adjustable Linear High Bay

**NORDEON**

LIGHTING SOLUTIONS

## DESCRIPTION

HBLSR offers field-selectable 4000K (neutral white) and 5000K (cool white) color temperatures, with tri-lumen selectable options ranging from 12,000 to 60,000 lumens. Designed for long-term performance, it delivers up to 134,000 hours of operation with 70% lumen retention (L70). It is compatible with screw-in infrared or dimming sensors (available separately), while offering optional emergency battery backup driver and narrow, medium, or wide distributions. This energy-efficient fixture includes 0-10V dimming, a high power factor (>0.90), and a CRI > 80, all housed in a durable painted steel frame with polycarbonate lenses.



Date: \_\_\_\_\_ Type: \_\_\_\_\_ Project: \_\_\_\_\_

Catalog Number: \_\_\_\_\_

## ORDERING INFORMATION

LUMINAIRE					
MODEL	LUMEN OUTPUT	CCT	INPUT VOLTAGE	OPTICS	OPTION
<b>HBLSR</b> <i>Linear High Bay</i>	<b>181512L</b> <i>18,000/15,000/12,000 Lumen Package - Power Selectable</i>	<b>4K5K</b> <i>4000K/5000K Package - CCT Selectable</i>	<b>BLANK</b> <i>Universal 120-277v - Leave Blank</i>	<b>ND</b> <i>Narrow Distribution</i>	<b>EM25</b> <i>25W Emergency Driver<sup>1</sup></i>
	<b>241815L</b> <i>24,000/18,000/15,000 Lumen Package - Power Selectable</i>		<b>UNC</b> <i>347-480v</i>	<b>WD</b> <i>Wide Distribution</i>	<b>BLANK</b> <i>No Emergency Driver - Leave Blank</i>
	<b>363024L</b> <i>36,000/30,000/24,000 Lumen Package - Power Selectable</i>			<b>BLANK</b> <i>Medium Distribution - Leave Blank</i>	
	<b>604836L</b> <i>60,000/48,000/36,000 Lumen Package - Power Selectable</i>				

Custom solutions are available; consult factory for availability. Factory assistance is available via phone at (864) 487-3535 ext. 258 or via email at DesignServices@EXP-Brands.com.

See Pages 6-7 for ordering information of available accessories.

<sup>1</sup>All emergency drivers have a minimum runtime of 90 minutes.



**SELECTABLE**  
POWER & CCT



# HBLSR

Power and CCT Adjustable Linear High Bay



LIGHTING SOLUTIONS

PHYSICAL	HOUSING	Stamped Steel Housing, Painted Finish			
	LENS	Polycarbonate Lens			
	MOUNTING	Chain Mount Kit Standard; Pendant Mount, Surface Mount, and Cable Mount Kits are Available Separately			
	OVERALL DIMENSIONS	HBLSR-181512L	HBLSR-241815L	HBLSR-363024L	HBLSR-604836L
		16.5" L x 10.25" W x 1.8" H	23" L x 10.25" W x 1.8" H	31" L x 10.25" W x 1.8" H	44" L x 10.25" W x 1.8" H
	WEIGHT	4.6 Pounds	7 Pounds	9.5 Pounds	12 Pounds
OPERATING TEMPERATURE	-40° F to 122° F				

ELECTRICAL	POWER (field selectable)	See "Light Distributions" Section Below.
	CURRENT	See "Light Distributions" Section Below.
	VOLTAGE	Universal 120-277VAC (50-60Hz) Standard; 347-480V Optional
	DRIVER	0-10vdc Dimming Driver
	SURGE SUPPRESSION	6kV Input Transient Surge Protection
	SENSORS	Screw-In Sensor Ready (Remote Control and Sensors Available Separately)
	POWER FACTOR	> 0.90

PHOTOMETRIC	LED	Field Selectable 4000K and 5000K			
	COLOR RENDERING INDEX	> 80			
	DELIVERED LUMEN OUTPUT	HBLSR-181512L	HBLSR-241815L	HBLSR-363024L	HBLSR-604836L
		Up to 18,421 Lumens	Up to 24,241 Lumens	Up to 36,076 Lumens	Up to 61,319 Lumens
	EFFICACY	Up to 159 lm/w	Up to 162 lm/w	Up to 160 lm/w	Up to 160 lm/w
LUMEN MAINTENANCE*	L70 > 134,000 Hours L90 > 40000 Hours				

LIGHT DISTRIBUTIONS	MODEL	MEASUREMENTS	LOW LUMENS		MID LUMENS		HIGH LUMENS	
			4000K	5000K	4000K	5000K	4000K	5000K
Values reflect delivered lumens at full output.	HBLSR-181512L	CCT	4000K	5000K	4000K	5000K	4000K	5000K
		Lumens	12,007	12,307	14,555	15,071	18,085	18,421
		Watts	76	77	96	98	120	123
		Efficacy	158	159	152	154	150	150
		Input Current @ 120V	0.63A	0.64A	0.80A	0.82A	1.00A	1.03A
		Input Current @ 277V	0.27A	0.28A	0.35A	0.35A	0.43A	0.44A
	HBLSR-241815L	Cct	4000K	5000K	4000K	5000K	4000K	5000K
		Lumens	15,021	15,557	18,017	18,477	24,047	24,241
		Watts	94	96	115	117	158	158
		Efficacy	159	162	157	158	152	153
		Input Current @ 120V	0.78A	0.80A	0.96A	0.98A	1.32A	1.32A
		Input Current @ 277V	0.34A	0.35A	0.42A	0.42A	0.57A	0.57A
	HBLSR-363024L	Cct	4000K	5000K	4000K	5000K	4000K	5000K
		Lumens	24,049	24,854	30,037	30,299	35,517	36,076
		Watts	152	155	193	197	237	242
		Efficacy	158	160	156	154	150	149
		Input Current @ 120V	1.27A	1.29A	1.61A	1.64A	1.98A	2.02A
		Input Current @ 277V	0.55A	0.56A	0.70A	0.71A	0.86A	0.87A

\*LED life may vary under actual field conditions due to external factors. Lifetime estimates are generated from actual testing in a controlled environment. Values are conservatively derived from those numbers.

# HBLSR

Power and CCT Adjustable Linear High Bay



LIGHTING SOLUTIONS

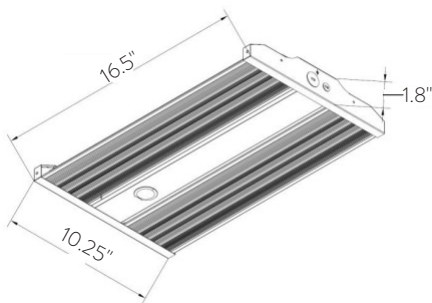
LIGHT DISTRIBUTIONS	MODEL	MEASUREMENTS	LOW LUMENS		MID LUMENS		HIGH LUMENS	
		CCT	4000K	5000K	4000K	5000K	4000K	5000K
Values reflect delivered lumens at full output.	HBLSR-604836L	Lumens	37,049	38,465	48,182	49,009	60,104	61,319
		Watts	236	241	312	317	404	412
		Efficacy	157	160	154	155	149	149
		Input Current @ 120V	1.97A	2.01A	2.60A	2.64A	3.37A	3.43A
		Input Current @ 277V	0.85A	0.87A	1.13A	1.14A	1.46A	1.49A

CERTIFICATIONS	SAFETY	UL Listed for Damp Locations
	DLC	DLC Premium Listed for Medium Distribution; DLC 5.1 Standard Listed for Narrow and Wide Distributions
	FCC	Complies with FCC Part 15, Class B
	WARRANTY	Five Year Limited Warranty

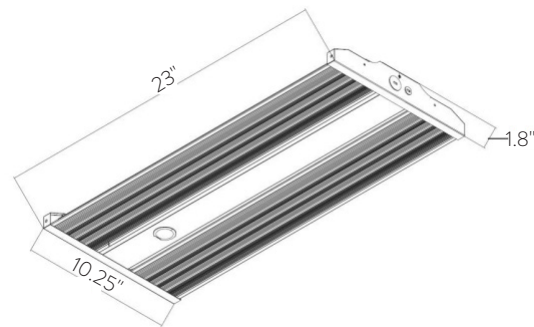
## DIMENSIONS

NOTE: Drawings are not to scale.

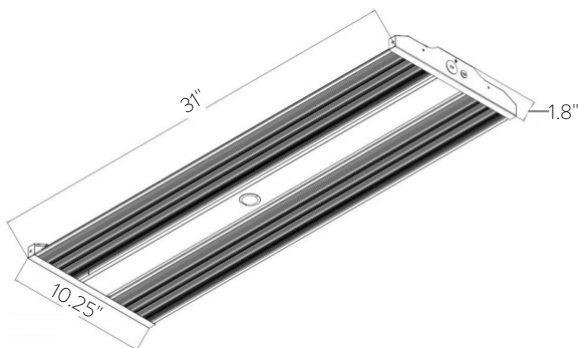
HBLSR-181512L



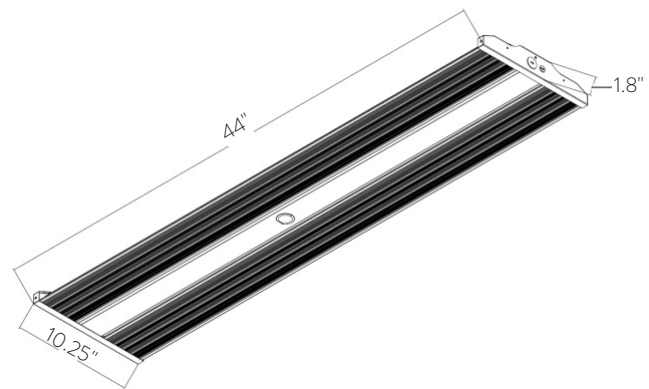
HBLSR-241815L



HBLSR-363024L



HBLSR-604836L



# HBLSR

Power and CCT Adjustable Linear High Bay

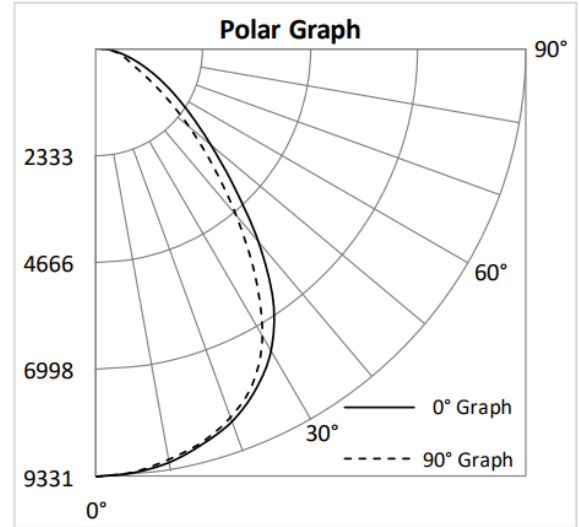


LIGHTING SOLUTIONS

## PHOTOMETRICS

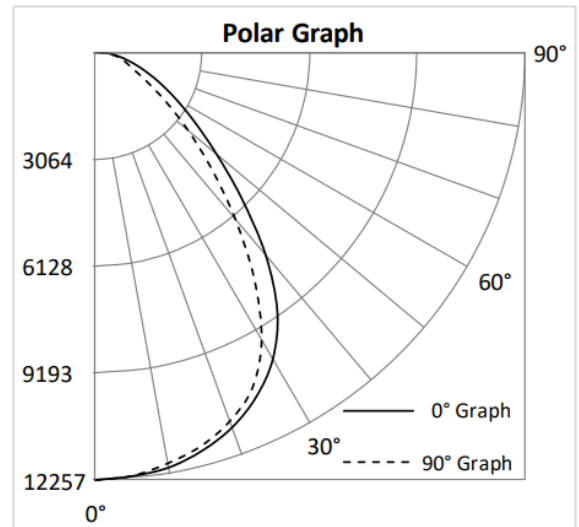
HBLSR-181512L Luminaire Data	
Description	Linear High Bay Power and CCT Selectable High Power Level, 5000K
Total Lumens	18423
Input Wattage	123
Effacy (lm/W)	150
Spacing Criterion (0-180°)	1.22
Spacing Criterion (90-270°)	1.18

HBLSR-181512L Zonal Lumen Summary		
Zone	Lumens	%Fixt
0-20°	3402	18.5%
0-30°	7155	38.8%
0-40°	11161	60.6%
20-50°	10840	58.8%
40-70°	6281	34.1%
0-60°	16247	88.2%
0-80°	18156	98.6%
0-90°	18423	100%
90-180°	0	0.0%
0-180°	18423	100%



HBLSR-241815L Luminaire Data	
Description	Linear High Bay Power and CCT Selectable High Power Level, 5000K
Total Lumens	24269
Input Wattage	158
Effacy (lm/W)	153
Spacing Criterion (0-180°)	1.24
Spacing Criterion (90-270°)	1.18

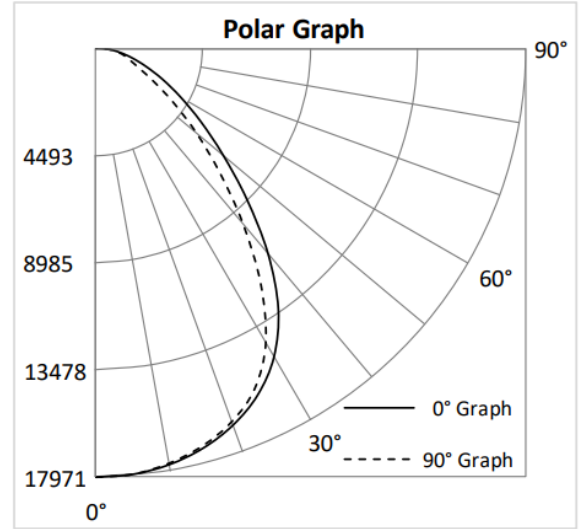
HBLSR-241815L Zonal Lumen Summary		
Zone	Lumens	%Fixt
0-20°	4468	18.4%
0-30°	9398	38.7%
0-40°	14661	60.4%
20-50°	14249	58.7%
40-70°	8283	34.1%
0-60°	21353	88.0%
0-80°	23902	98.5%
0-90°	24269	100%
90-180°	0	0.0%
0-180°	24269	100%



## PHOTOMETRICS

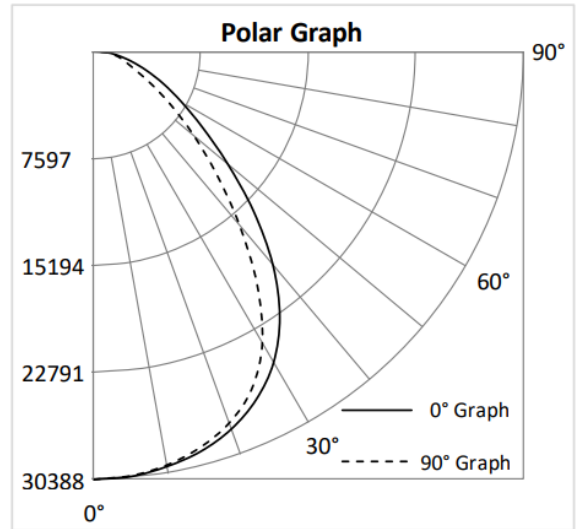
HBSLR-363024L Luminaire Data	
Description	Linear High Bay Power and CCT Selectable High Power Level, 5000K
Total Lumens	36087
Input Wattage	242
Effacy (lm/W)	149
Spacing Criterion (0-180°)	1.24
Spacing Criterion (90-270°)	1.18

HBSLR-363024L Zonal Lumen Summary		
Zone	Lumens	%Fixt
0-20°	6560	18.2%
0-30°	13802	38.2%
0-40°	21585	59.8%
20-50°	21143	58.6%
40-70°	12526	34.7%
0-60°	31718	87.9%
0-80°	35540	98.5%
0-90°	36087	100%
90-180°	0	0.0%
0-180°	36087	100%



HBSLR-604836L Luminaire Data	
Description	Linear High Bay Power and CCT Selectable High Power Level, 5000K
Total Lumens	61323
Input Wattage	412
Effacy (lm/W)	149
Spacing Criterion (0-180°)	1.24
Spacing Criterion (90-270°)	1.18

HBSLR-604836L Zonal Lumen Summary		
Zone	Lumens	%Fixt
0-20°	11100	18.1%
0-30°	23335	38.1%
0-40°	36491	59.5%
20-50°	35901	58.5%
40-70°	21535	35.1%
0-60°	53908	87.9%
0-80°	60446	98.6%
0-90°	61323	100%
90-180°	0	0.0%
0-180°	61323	100%



# HBLSR

## Power and CCT Adjustable Linear High Bay



LIGHTING SOLUTIONS

### ACCESSORIES

NOTE: When ordering a cord or plug, add the part number suffix to the end of the luminaire catalog number.

For example: HBLSR-181512L-4K5K-EM25-10C4

ACCESSORIES	
MODEL	DESCRIPTION
HD07VR-PH-1	Passive infrared sensor - maximum mounting height = 39 FT, factory settings: detection area =100%, hold time = 5 sec, stand-by period = 0 sec, stand-by dimming level = 10%, daylight threshold = disabled
HD07VR-MH-B-1	Microwave step-dimming sensor - maximum mounting height = 49 FT, factory settings: detection area = 100%, hold time = 5 sec, stand-by period = 0 sec, stand-by dimming level = 10%, daylight threshold = disabled= 10%, daylight threshold = disabled
HD05R	Remote control for HD07VR-PH-1 & HD07VR-MH-B-1 (required to change factory settings)
HBLSR-LENS-181512L-ND	Narrow distribution lens for HBLSR-181512L-4K5K
HBLSR-LENS-241815L-ND	Narrow distribution lens for HBLSR-241815L-4K5K
HBLSR-LENS-363024L-ND	Narrow distribution lens for HBLSR-363024L-4K5K
HBLSR-LENS-604836L-ND	Narrow distribution lens for HBLSR-604836L-4K5K
HBLSR-LENS-181512L-MD	Medium distribution lens for HBLSR-181512L-4K5K (ships with luminaire standard)
HBLSR-LENS-241815L-MD	Medium distribution lens for HBLSR-241815L-4K5K (ships with luminaire standard)
HBLSR-LENS-363024L-MD	Medium distribution lens for HBLSR-363024L-4K5K (ships with luminaire standard)
HBLSR-LENS-604836L-MD	Medium distribution lens for HBLSR-604836L-4K5K (ships with luminaire standard)
HBLSR-LENS-181512L-WD	Wide distribution lens for HBLSR-181512L-4K5K
HBLSR-LENS-241815L-WD	Wide distribution lens for HBLSR-241815L-4K5K
HBLSR-LENS-363024L-WD	Wide distribution lens for HBLSR-363024L-4K5K
HBLSR-LENS-604836L-WD	Wide distribution lens for HBLSR-604836L-4K5K
HBLSR-WG-181512L	Wire guard kit for HBLSR-181512L-4K5K
HBLSR-WG-241815L	Wire guard kit for HBLSR-241815L-4K5K
HBLSR-WG-363024L	Wire guard kit for HBLSR-363024L-4K5K
HBLSR-WG-604836L	Wire guard kit for HBLSR-604836L-4K5K
HBLSR-SMK	Surface mount kit for HBLSR - all models (not compatible with UNC or EM25 options)
HBLSR-PMK	Pendant mount for HBLSR - all models (not compatible with UNC or EM25 options)
LEDFHB-CMK3	Cable mount kit, 3 meters long - all models
LEDFHB-CMK5	Cable mount kit, 5 meters long - all models

CORDS & PLUGS		
PART NUMBER SUFFIX	DESCRIPTION	FOR USE WITH
6C3	6' cord - 3 conductor (black/white/green)	Standard & UNC
6C4	6' cord - 4 conductor (black/white/green/red)	EM driver
6C5	6' cord - 5 conductor (black/white/green/purple/pink)	Dimming (standard & UNC)
6C6	6' cord - 6 conductor (black/white/green/red/purple/pink)	Dimming & EM driver
10C3	10' cord - 3 conductor (black/white/green)	Standard & UNC
10C4	10' cord - 4 conductor (black/white/green/red)	EM driver
10C5	10' cord - 5 conductor (black/white/green/purple/pink)	Dimming (standard & UNC)
10C6	10' cord - 6 conductor (black/white/green/red/purple/pink)	Dimming & EM driver
15C3	15' cord - 3 conductor (black/white/green)	Standard & UNC
15C4	15' cord - 4 conductor (black/white/green/red)	EM driver
15C5	15' cord - 5 conductor (black/white/green/purple/pink)	Dimming (standard & UNC)
15C6	15' cord - 6 conductor (black/white/green/red/purple/pink)	Dimming & EM driver

#### CORDS & PLUGS (CONTINUED)

PART NUMBER SUFFIX	DESCRIPTION	FOR USE WITH
6W3	6' whip - 3 conductor (black/white/green)	Standard & UNC
6W4	6' whip - 4 conductor (black/white/green/red)	EM driver
6W5	6' whip - 5 conductor (black/white/green/purple/pink)	Dimming (standard & UNC)
6W6	6' whip - 6 conductor (black/white/green/red/purple/pink)	Dimming & EM driver
6P515	6' cord - 3 conductor (black/white/green) - NEMA 5-15 plug (120V/15A)	Standard luminaire
6P615	6' cord - 3 conductor (black/white/green) - NEMA 6-15 plug (240V/15A)	Standard luminaire
6P715	6' cord - 3 conductor (black/white/green) - NEMA 7-15 plug (277V/15A)	Standard luminaire
6P520	6' cord - 3 conductor (black/white/green) - NEMA 5-20 plug (120V/20A)	Standard luminaire
6P620	6' cord - 3 conductor (black/white/green) - NEMA 6-20 plug (277V/20A)	Standard luminaire
6P515L	6' cord - 3 conductor (black/white/green) - NEMA L5-15 plug (120V/15A locking)	Standard luminaire
6P615L	6' cord - 3 conductor (black/white/green) - NEMA L6-15 plug (240V/15A locking)	Standard luminaire
6P715L	6' cord - 3 conductor (black/white/green) - NEMA L7-15 plug (277V/15A locking)	Standard luminaire
6P520L	6' cord - 3 conductor (black/white/green) - NEMA L5-20 plug (120V/20A locking)	Standard luminaire
6P620L	6' cord - 3 conductor (black/white/green) - NEMA L6-20 plug (240V/20A locking)	Standard luminaire
6P720L	6' cord - 3 conductor (black/white/green) - NEMA L7-20 plug (277V/20A locking)	Standard luminaire
6P2420L	6' cord - 3 conductor (black/white/green) - NEMA L24-20 plug (347V/20A locking)	UNC luminaire
6P820L	6' cord - 3 conductor (black/white/green) - NEMA L8-20 plug (480V/20A locking)	UNC luminaire
10P515	10' cord - 3 conductor (black/white/green) - NEMA 5-15 plug (120V/15A)	Standard luminaire
10P615	10' cord - 3 conductor (black/white/green) - NEMA 6-15 plug (240V/15A)	Standard luminaire
10P715	10' cord - 3 conductor (black/white/green) - NEMA 7-15 plug (277V/15A)	Standard luminaire
10P520	10' cord - 3 conductor (black/white/green) - NEMA 5-20 plug (120V/20A)	Standard luminaire
10P620	10' cord - 3 conductor (black/white/green) - NEMA 6-20 plug (277V/20A)	Standard luminaire
10P515L	10' cord - 3 conductor (black/white/green) - NEMA L5-15 plug (120V/15A locking)	Standard luminaire
10P615L	10' cord - 3 conductor (black/white/green) - NEMA L6-15 plug (240V/15A locking)	Standard luminaire
10P715L	10' cord - 3 conductor (black/white/green) - NEMA L7-15 plug (277V/15A locking)	Standard luminaire
10P520L	10' cord - 3 conductor (black/white/green) - NEMA L5-20 plug (120V/20A locking)	Standard luminaire
10P620L	10' cord - 3 conductor (black/white/green) - NEMA L6-20 plug (240V/20A locking)	Standard luminaire
10P720L	10' cord - 3 conductor (black/white/green) - NEMA L7-20 plug (277V/20A locking)	Standard luminaire
10P2420L	10' cord - 3 conductor (black/white/green) - NEMA L24-20 plug (347V/20A locking)	UNC luminaire
10P820L	10' cord - 3 conductor (black/white/green) - NEMA L8-20 plug (480V/20A locking)	UNC luminaire
15P515	15' cord - 3 conductor (black/white/green) - NEMA 5-15 plug (120V/15A)	Standard luminaire
15P615	15' cord - 3 conductor (black/white/green) - NEMA 6-15 plug (240V/15A)	Standard luminaire
15P715	15' cord - 3 conductor (black/white/green) - NEMA 7-15 plug (277V/15A)	Standard luminaire
15P520	15' cord - 3 conductor (black/white/green) - NEMA 5-20 plug (120V/20A)	Standard luminaire
15P620	15' cord - 3 conductor (black/white/green) - NEMA 6-20 plug (277V/20A)	Standard luminaire
15P515L	15' cord - 3 conductor (black/white/green) - NEMA L5-15 plug (120V/15A locking)	Standard luminaire
15P615L	15' cord - 3 conductor (black/white/green) - NEMA L6-15 plug (240V/15A locking)	Standard luminaire
15P715L	15' cord - 3 conductor (black/white/green) - NEMA L7-15 plug (277V/15A locking)	Standard luminaire
15P520L	15' cord - 3 conductor (black/white/green) - NEMA L5-20 plug (120V/20A locking)	Standard luminaire
15P620L	15' cord - 3 conductor (black/white/green) - NEMA L6-20 plug (240V/20A locking)	Standard luminaire
15P720L	15' cord - 3 conductor (black/white/green) - NEMA L7-20 plug (277V/20A locking)	Standard luminaire
15P2420L	15' cord - 3 conductor (black/white/green) - NEMA L24-20 plug (347V/20A locking)	UNC luminaire
15P820L	15' cord - 3 conductor (black/white/green) - NEMA L8-20 plug (480V/20A locking)	UNC luminaire