

Y-TOGGLE ADJUSTABLE

Aircraft Cable Hanger



APPLICATION:

Recommended for the suspension of hanging luminaires in an indoor application.

APPROVALS:

UL Listing - UL1598 Luminaire Fittings

CSA - Class 3426-01 Luminaire Fittings

FEATURES:

Safe-working load at 5:1 safety factor.

Tool-less adjustment.

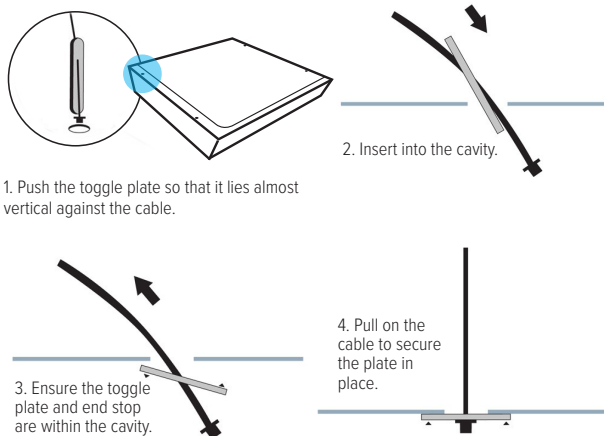
Replaces threaded rod; no sawing, filing or fixing nuts.

Reduces installation time by 80%.

No need for additional bracketry.

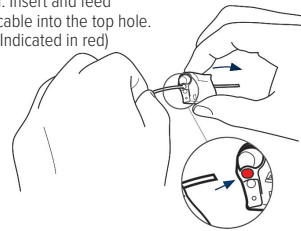


GENERAL INSTALLATION

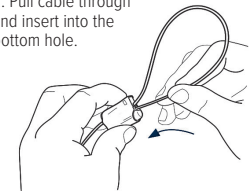


GRIP DEVICE ADJUSTMENT

1. Insert and feed cable into the top hole. (Indicated in red)

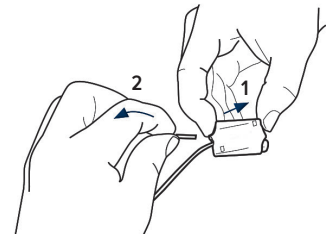


2. Pull cable through and insert into the bottom hole.



GRIP DEVICE RELEASE

1. Push in button to release.
2. Adjust cable to necessary length.



MATERIAL SPECIFICATION

Fastener: Housing: Zinc

Wedges: Steel

Springs: Stainless Steel

End Cap: Acetal Copolymer

Push Button: Acetal Copolymer

Cable: Galvanized high tensile steel cable to EN12385

Standard lengths from 5ft-30ft, other by request.

Y-Assembly: 12" legs are standard. Other lengths by request.

Toggle & End Stop: Zinc plated Steel

Crimp/Ferrule: Aluminum

Note: Please Specify Sizes When Ordering From Customer Service.

APPLICATION EXAMPLE

Angle between legs of "Y" not to exceed 60°

