

### VIKING HO (High Output) LED Vaportight

#### FEATURES:

- Designed in Germany, Made in the USA.
- Slim design, made for LED
- Short payback time, efficiency of >125 lm/W
- CSA Certified
- Extremely high output up to 8000lm



PROJECT NAME	TYPE
CATALOG NAME	DATE



### Specifications

LUMEN EFFICIENCY (lm/W)	up to 125 lm/W on system level
LED MODULE	Viapaq PassivePAQ 1R 2F
LIFETIME	50,000 hours at flux decrease of 30%
COLOR TEMPERATURE	3000K (warm-white), 4000K (neutral-white) and 5000K (cool-white). For other color temperatures, contact factory.
COLOR RENDERING INDEX	Ra > 80
LED DRIVER	Philips Xitanium 0-10V, 120-277V
OPTICS	Wide beam
LUMEN OUTPUT	6000 or 8000 lm for 4ft units
MOUNTING OPTIONS	Brackets for surface mounting
MATERIAL AND COLOR	Glass fiber, reinforced polyester
CERTIFICATION	CSA/US for Damp locations DesignLights Consortium® (DLC) qualified product. See listed models on page 2.
PROTECTION CLASS	I
PROTECTION LEVEL	IP65
IMPACT RESISTANCE	IK08

FIXTURE CAT. NO.	DESCRIPTION	INPUT RATINGS #
VK-6	4ft Nominal LED vaportight fixture (6000 lm)	120V-277V 54W 60Hz
VK-8	4ft Nominal LED vaportight fixture (8000 lm)	120V-277V 72W 60Hz

### Ordering

The Viking HO vaportight LED fixture range is unique because of its narrow slim design and top performance. Offered in multiple color temperatures and at two different light levels. The Viking HO can be equipped with 0-10v dimming. Additional options include emergency lighting, occupancy sensor and through wiring.



### VK-HO

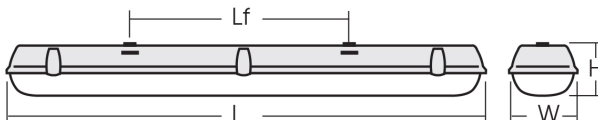
PART	LUMENS	VOLTAGE	CCT	LENGTH	LENS MATERIAL	LENS TYPE	DIMMING	OPTIONS
<b>VK HO</b> (Viking High Output)	<b>6 (6000 LM)</b> <b>8 (8000 LM)*</b>	<b>UNV</b> <b>(120-277V)</b> <b>347V</b>	<b>3000K</b> <b>4000K*</b> <b>5000K</b>	<b>4 FT</b>	<b>PC</b> (polycarbonate)	<b>WB</b> (wide beam)	<b>DIM (0-10V)</b>	<b>EL</b> (emergency battery pack) <b>OCC</b> (occupancy sensor) <b>TW</b> (through wiring)

\* Listed for DLC

### Dimensions

All dimensions are shown in inches (centimeters) unless otherwise noted.

L	W	H	Lf
<b>4' 2 1/5"</b>	<b>5 2/3"</b> (dimension without clips)	<b>3 7/8"</b>	<b>2' 7 1/2"</b>



Specifications are subject to change without notice.

### Accessories

Product is shipped standard with mounting brackets and stainless steel clips.



Mounting Bracket



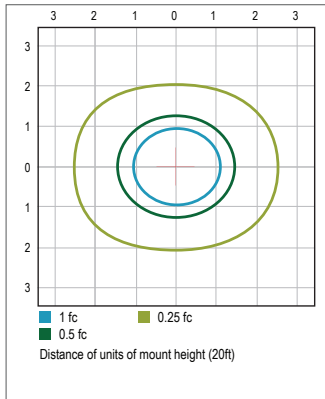
Stainless Steel Clips

## Photometrics

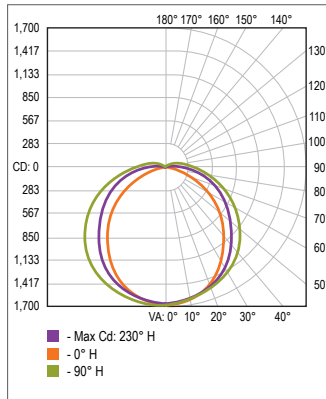
### Photometric Filename

VK-HO-6000LM-4000K-4FT-DF

Isocandela Plot



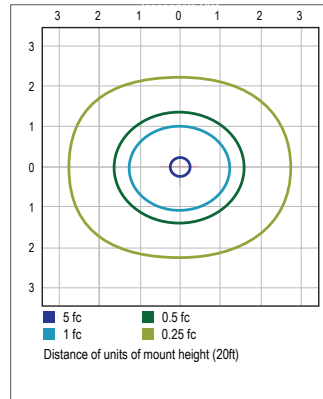
Polar Candela Distribution Chart



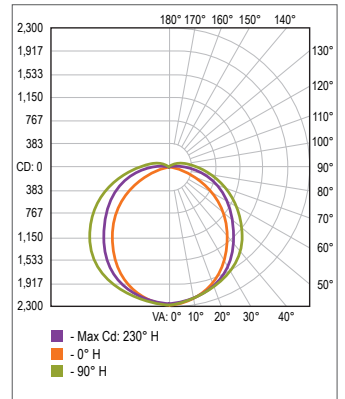
### Photometric Filename

VK-HO-8000LM-4000K-4FT-DF

Isocandela Plot



Polar Candela Distribution Chart





[www.nordeon-usa.com](http://www.nordeon-usa.com)

---

In a continuing effort to offer the best product possible we reserve the right to change, without notice, specifications or materials.  
Technical specification sheets that appear on [www.nordeon-usa.com](http://www.nordeon-usa.com) are the most recent ones available.