

GOBOLED 20

INDOOR GOBO PROJECTOR

DESCRIPTION

GoboLED 20 is a compact surface mount wall or ceiling Gobo projector well suited to indoor applications ranging from retail and hospitality settings to nightclub and entertainment venues. Fabricated from precision-machined and extruded aluminum components, GoboLED 20 accommodates E-Size glass or metal gobos for waymarking, guidance, branding, or other applications where visual messaging may change over time. The standard lens delivers a narrow 10° beam with options for lenses in wider beam widths. Size and focus adjustments are possible through the fine threading on the lens barrel which can then be securely locked into position. The GoboLED 20 allows for manual rotation of the body to align the image after the gobo has been installed. Standard finishes are black or white. LED driver is remote. Glass or metal E size gobos in standard or custom patterns ordered separately.



Date: _____ Type: _____ Catalog Number: _____

Project Name: _____

ORDERING INFORMATION

PROJECTOR				
MODEL	LED	VOLTAGE	MOUNTING	FINISH
GBI Gobo Projector Indoor	20W 20 Watts	UNV 120 - 277V	S Surface Mount	BL Black WH White

NOTE: Requires remote driver (included)

Glass or metal E size gobos in standard or custom patterns ordered separately. Logo must be provided in vector format (.EPS, .AI, or .SVG).

PROJECTION LENS			GOBO			
MODEL	LED	FINISH	MODEL	GOBO SIZE	GOBO SUBSTRATE	FINISH
GBL Gobo Projection Lens	F140 Narrow f=140mm, 10° (Standard)	BL Black	GBG Gobo	E E-Size Gobo	M Metal	01 Stop Sign
	F100 Semi-Narrow f=100mm, 15°	WH White			GBW Glass - Black & White	02 Restricted Area
	F70* Medium f=70mm, 20°				GGS Glass - Grayscale	03 Caution
	F56 Wide f=56mm, 25°				G1C Glass - One Color	04 Eye Protection Area
	F28* Ultra Wide f=28mm, 45°				G2C Glass - Two Color	05 Hearing Protection Area
	* Medium and Ultra-wide distributions on request with extended lead times				G3C Glass - Three Color	CD Custom Design
					GFC Glass - Full Color	

GOBOLED 20

INDOOR GOBO PROJECTOR

GOBOLED 20		
PHYSICAL	HOUSING	Machined aluminum lens barrel and housing, extruded aluminum heat sink
	HOUSING DIMENSIONS	Up to 11.2" long with yoke and F140 Narrow Beam lens x 4" wide
	GOBO DIMENSIONS	E-Size Outer Diameter: 1.48" (37.5mm), Image Diameter: 0.98" (25mm), Thickness: 0.13" (3.3mm)
	WEIGHT	2.4 lbs
	OPERATING TEMPERATURE	-22°F to 122°F (-30°C to 50°C)
ELECTRICAL	POWER CONSUMPTION	100-277 VAC @ 50-60Hz, 25w (driver is remote from projector housing)
	AMPERAGE	0.25A @ 120VAC / 0.1A @ 277VAC
	CONTROL PROTOCOLS	On/Off
PHOTOMETRIC	LED	20W
	GOBO TYPES	Glass or Metal
	DELIVERED LUMEN OUTPUT	1000 lumens
	COLOR TEMPERATURE	7,000k +/-500k
	L70 LUMEN MAINTENANCE	30,000 hours rated life
	LENS RANGE	See Projection Chart on page 4
LIGHT DISTRIBUTIONS*	DISTRIBUTION	BEAM ANGLE
	NARROW (Standard)	f=140mm, 10°
	SEMI-NARROW	f=100mm, 15°
	MEDIUM*	f=70mm, 20°
	WIDE	f=56mm, 25°
	ULTRA WIDE*	f=28mm, 45°
* MEDIUM AND ULTRA-WIDE DISTRIBUTIONS ON REQUEST WITH EXTENDED LEAD TIMES		
CERTIFICATIONS	SAFETY	CSA Certified for Dry or Damp Locations
	INGRESS PROTECTION	IP61
	IMPACT RATING	IK07

GOBOLED 20

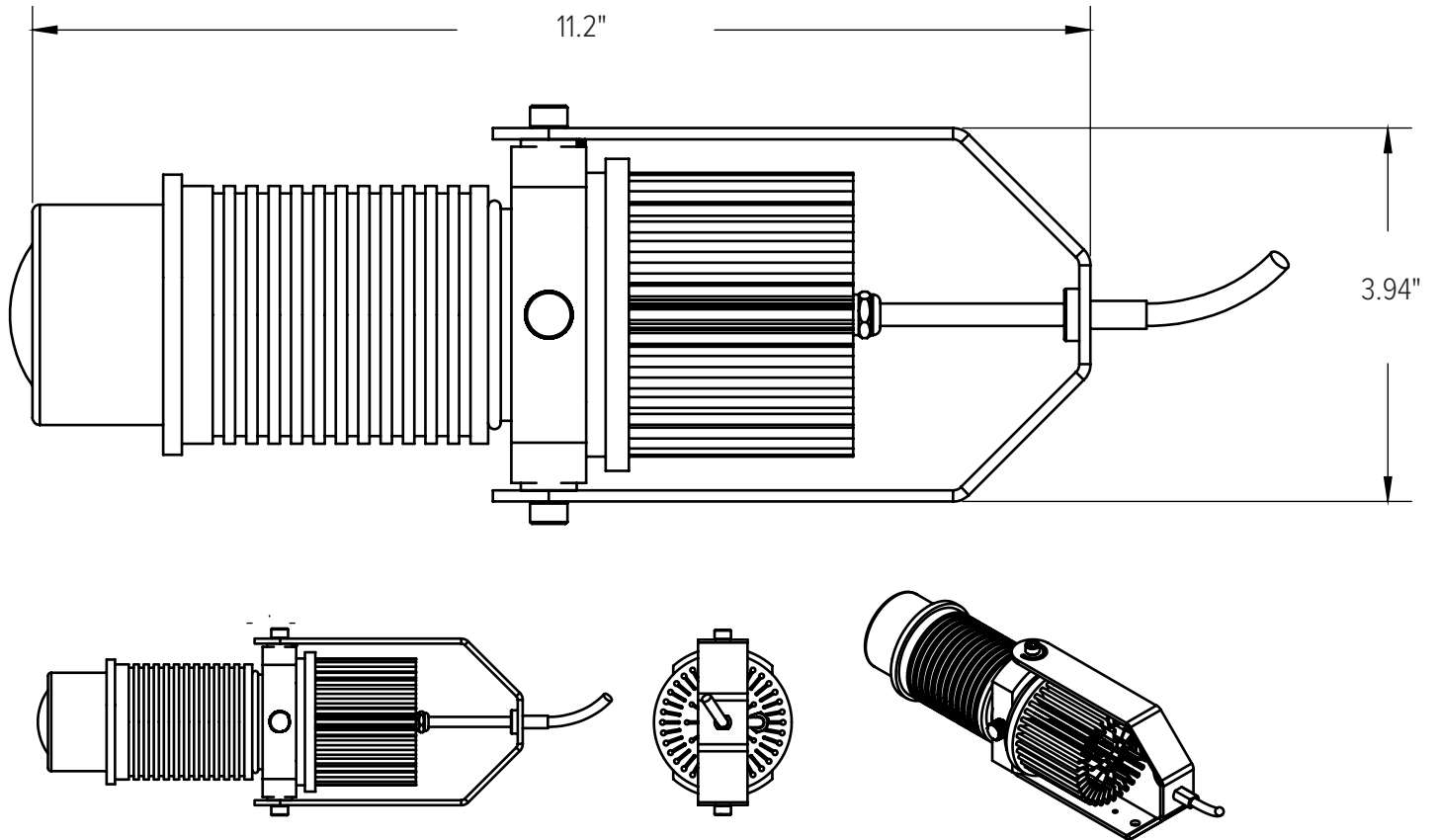
INDOOR GOBO PROJECTOR

NORDEON

LIGHTING SOLUTIONS

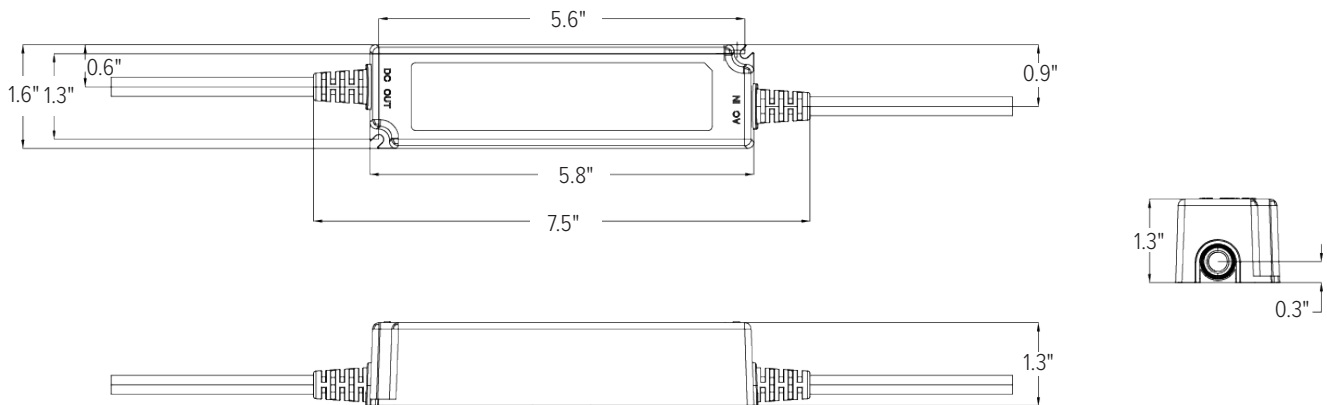
DIMENSIONS

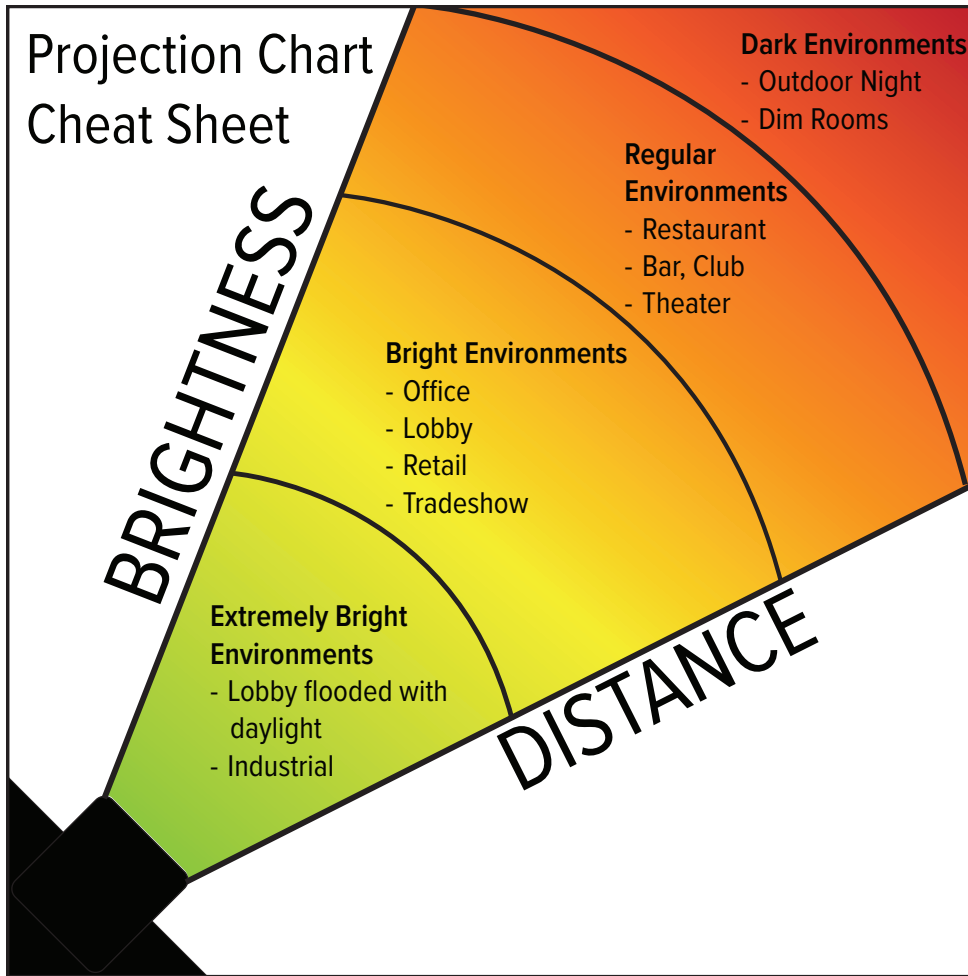
All dimensions are shown in inches unless otherwise noted.



REMOTE DRIVER DIMENSIONS

All dimensions are shown in inches unless otherwise noted.





SPOT PROJECTION CHART

Model GoBo Size	GoBo max ID	LENS	Beam Mult.	Effective lm	Efficiency lm/W	CD	Value	PROJECTION DISTANCE IN FEET (FT)												
								3	6	9	12	15	20	24	30	36	42	64	88	112
GBI-20 E-Size OD=37.5mm ID=25mm	25mm	140MM (10°)	0.18	641	16	25,200	Beam Diameter (ft)			1.6	2.2	2.7	3.6	4.3	5.4	6.5	7.6	11.5	15.8	20.2
							Brightn.(fc)			311	175	112	63	44	28	19	14	6	3	2
		100MM (15°)	0.26	841	21	15,840	Beam Diameter (ft)		1.6	2.3	3.1	3.9	5.2	6.2	7.8	9.4	11	17	23	29
							Brightn.(fc)		440	196	110	70	40	28	18	12	9	4	2	1
	70MM* (20°)	0.35	692	17	7,200	Beam Diameter (ft)	1.1	2.1	3.2	4.2	5.3	7	8.4	10.5	12.6	14.7	22.4	30.8		
						Brightn.(fc)	800	200	89	50	32	18	13	8	6	4	2	1		
	56MM (25°)	0.45	732	18	4,608	Beam Diameter (ft)	1.4	2.7	4.1	5.4	6.8	9	11	14	16	19	29	40		
						Brightn.(fc)	512	128	57	32	20	12	8	5	4	3	1	1		
23mm	28MM* (40°)	0.85	817	20	1,440	Beam Diameter (ft)	2.6	5.1	7.7	10.2	12.8	17	20.4	25.5	30.6	35.7				
						Brightn.(fc)	160	40	18	10	6	4	3	2	1	1				

* Medium and Ultra-wide distributions on request with extended lead times

Stock & Custom Gobos

Custom gobos are commonly used for events, product promotion, advertising, weddings, and other applications. Whether steel or glass, a custom glass gobo can help your brand, company, or product stand apart from the rest. SCHMITZ offers a wide array of custom gobos for all of your needs. When you require intricate patterns, logos, or images rich with color, custom glass gobos are the best option for spectacular results. Glass gobos incorporate a photo-realistic quality and are crafted using high-resolution lasers, ideal for intricate designs and nearly flawless projection.

Whether projecting on a large floor area, interior wall, or the exterior of a building, gobos help you capture the interest and attention of your audience or guests. Glass gobos are far more durable than most people believe. A more cost-effective option, steel gobos (or metal) are less expensive if color gradation or more than one color is not required in your application. Glass gobos are the preferred choice when you need multiple colors, color gradients, or logos/images that are more complex. For durability, detailed designs or flowing scripts glass is the material of choice. Glass and metal gobos often have lifespans of several years.

When it comes to custom gobos, glass is ultimately the best choice, as this type of gobo can be reused on countless occasions and provides the highest image quality you can get along with exceptional clarity, great detail, and more. Custom gobos are a great way to build brand awareness, promote your products and services, and put what you want out there whether in advertising, hosting events, or in other applications. Trust SCHMITZ for all of your custom gobo needs when you require perfect results using your own artwork!

How it works

Instead of constantly replacing old signage, virtually projected signage only requires an image projector (called a gobo projector) and an image carrier (called a gobo). The gobo is placed inside the projector, comparable to a slide but far more durable. The projector is installed in a convenient space adjacent to the projection area, such as the ceiling. Your chosen safety message is then projected onto the appropriate surface, clearly visible even in poor lighting conditions.

When ordering a custom gobo, you must first select your color range:



Standard Gobo Colors

We usually match the colors of your artwork with the colors of our Standard Color Palette. Shown here are the colors as Pantone print equivalents so they can be compared in color books. Gobos are manufactured in an entirely different process from print but we believe this is the easiest way to make color references.

We are able to make virtually any color, but we cannot guarantee the exact match of your colors in the resulting projection due to variations in the fixtures and projection surface. The color of a projected image will always vary from the print color as there is only limited control over the projection environment. The resulting projection color is influenced by factors such as ambient light situation, projection surface color and materials, and color temperature of the light bulb.

TC Pantone 1345C	Yellow Pantone 114C	Dark Yellow Pantone 1225C	Light Orange Pantone 124C	Pink Pantone 232C	Dark Blue Pantone 072C	Blue Pantone 286C	Cyan Pantone 2925C
Orange Pantone 151C	Light Red Pantone 179C	Red Pantone 186C	Magenta Pantone 254C	Light Cyan Pantone 305C	Day Light Pantone 2708C	Green Pantone 355C	Light Green Pantone 367C



Contact factory for assistance in ordering stock or custom gobos

Industrial

Virtual Signs – Projectors and Sign Gobos enhance safety and help you do away with paint and tape through projected signs that are ideal for low- or bright light environments, high traffic or risk areas, rough environments and more

- Sign Projectors – Our GoboLED 20 Virtual Sign Projectors are purpose built for high performance in industrial, damp or dusty environments. Oversized heat sinks, instead of fans or motors, are easy to clean and allow for long service intervals.
- Sign and Safety Gobos - Reduce the risk of accidents, injuries, and damage with virtual sign gobos that enhance safety in warehouse, production and other environments. Caution, Stop, Yield, Slow, Forklift, Crosswalk, Walkway, Restricted Area, and other safety gobos provide the signage essential in industrial environments.
- Custom Signage Gobos – We specialize in making custom virtual signs from your artwork or your specifications.
- Lasers - Virtual line lasers eliminate tape and floor paint maintenance, creating an indestructible floor line in industrial environments. Red and green colors available, perfect when used in conjunction with virtual signs.



Contact factory for assistance in ordering stock or custom gobos

Corporate

- Gobos - Custom gobos designed using your artwork, standard glass and stock metal gobos, and themed gobos are available for all of your corporate needs.
- Projectors - Our wide selection of gobo projectors make it easy for you to choose the perfect one for your corporate needs based on brightness, projection distance, size, and other factors



Contact factory for assistance in ordering stock or custom gobos

Architectural

- Projectors - Whether for interior, exterior, architectural or other applications, our projectors are simple to use and offer great optics and image quality.
- Outdoor projectors - Outdoor projectors are weather-resistant and designed for rugged conditions, from small to large scale gobo projection on buildings, streets, and other objects.
- Holiday projectors - Whether in shopping malls or public places, our holiday gobo projectors will help you light up the season.



Contact factory for assistance in ordering stock or custom gobos

Entertainment

- Gobos - Custom gobos, stock metal gobos, themed gobos and more for all your entertainment needs - holiday parties, live bands, sports events, corporate entertainment, etc.
- Custom gobos - Take your entertainment to the next level with custom gobos created from glass, metal, or film gobos made from your artwork or based on your artwork instructions.
- Stock gobos - From abstract, fire & ice, water & sky, and breakups to symbols & signs, rotation, text and graphics, we have stock gobos for all your entertainment needs.



Contact factory for assistance in ordering stock or custom gobos

Consumer/Custom Designs

- Wedding gobos - From stock gobos to personalized custom and monogram gobos, we have all you need to make the most exciting day of your live even more special.
- Custom gobos - Custom gobos are designed using your own artwork, giving it a more personal, meaningful touch. Our glass and metal gobo templates make simple work of customizing your gobo.
- Projectors - Gobo projectors are available in a wide range of versions at prices for every budget, ideal for use in showrooms, retail settings, restaurants, for promotions, or almost any interior or exterior application.
- Stock gobos - Stock metal gobos for all your needs in many categories including boundaries & wildlife, foliage breakups, fire & ice, churches & heraldics, graphics & grills, occasions & holidays, text, trees & flowers, and more.